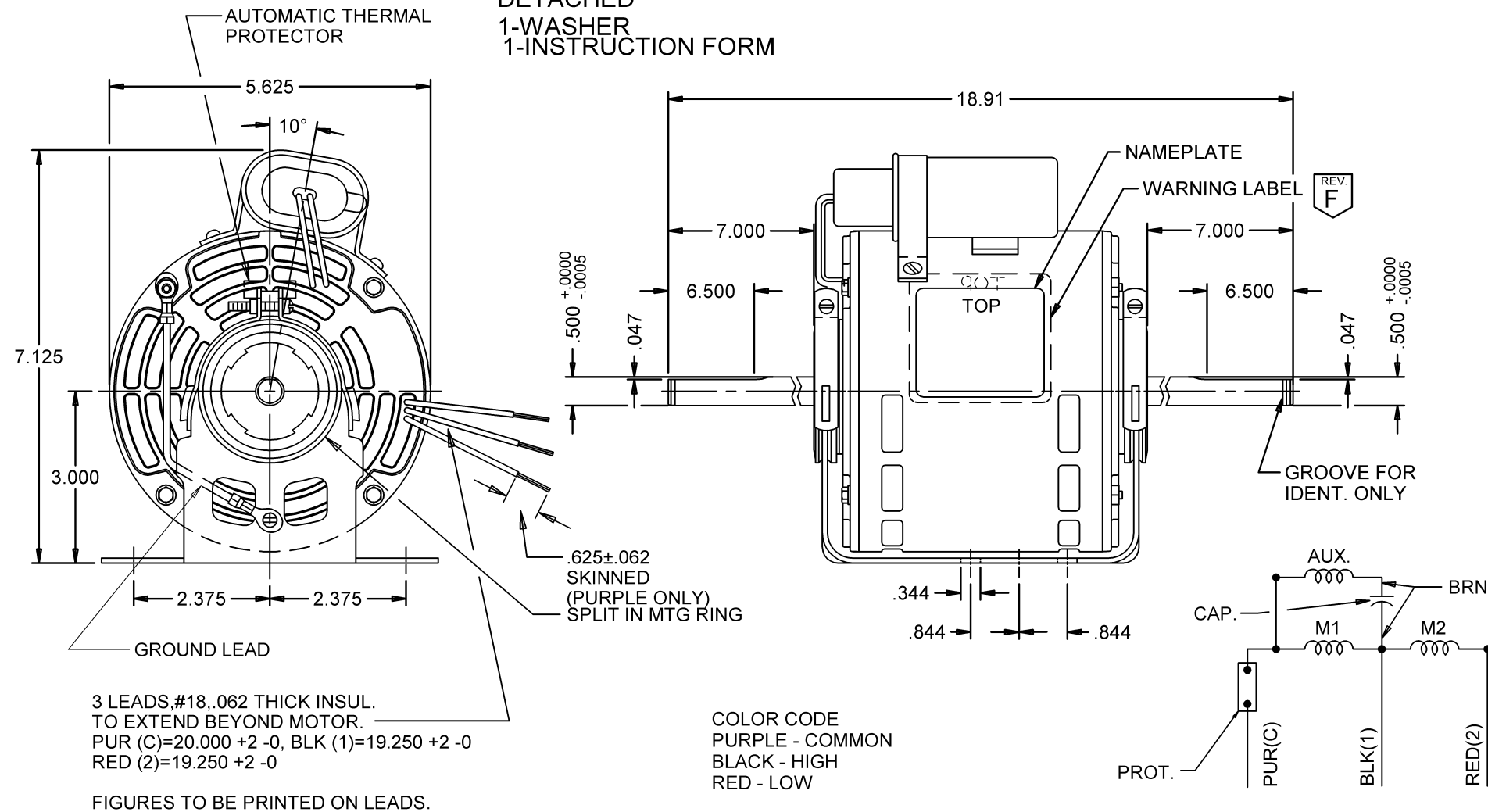


SUPPLIED
DETACHED
1-WASHER
1-INSTRUCTION FORM



NIDEC MOTOR CORPORATION 23-Dec-13

MODEL	REF	CUSTOMER	HP	VOLTS	AMPS	HZ	RPM	ROTATION	CUSTOMER PN	
K55HXCGM-4982		STANDARD	1/4	230	1.8	60	1625/2SPD	CCW LEAD END	1243	
SHEET NUMBER 1 OF 1	REV F	REVISION RECORD FOR: C9441-00			INFORMATION DISCLOSED ON THIS DOCUMENT IS CONSIDERED PROPRIETARY AND SHALL NOT BE REPRODUCED OR DISCLOSED WITHOUT WRITTEN CONSENT OF NIDEC MOTOR CORPORATION				NIDEC MOTOR CORPORATION	
REVISION DATE	ADDED WARNING LABEL.									
23-DEC-13										
ISSUED BY B. ANDRADE				REVIEWED BY B. GAITAN		ENGINEER APPROVED B. GAITAN		ALL DIMENSIONS ARE FOR REFERENCE ONLY UNLESS TOLERANCE IS GIVEN		
				TITLE ASSEMBLED VIEW				CODE V01	ITEM NO. 753766	SIZE A